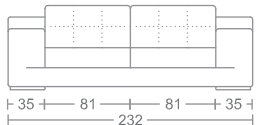
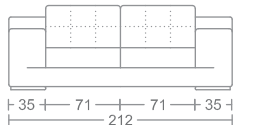
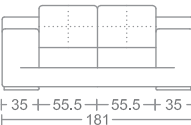
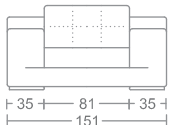
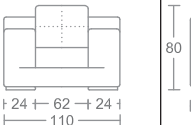
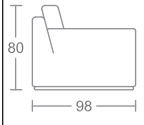


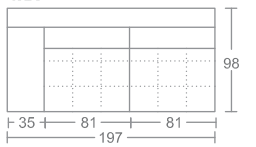
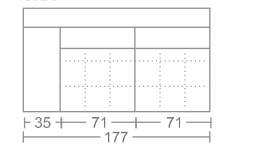
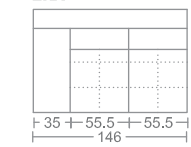
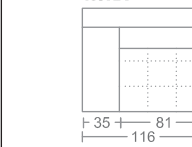

FIORI

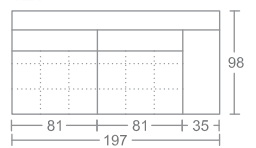
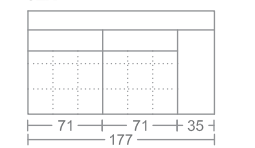
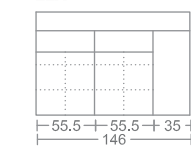
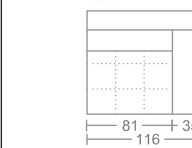

STEP 1: SELECT SOFA MODULES

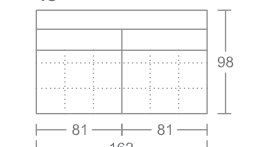
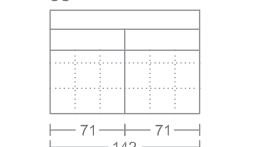
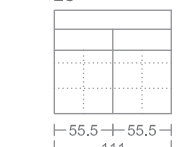
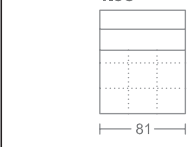
Sofas * For custom sizes & made to measure options, please ask a sales consultant to provide prices.

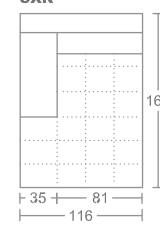
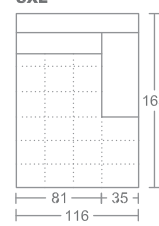
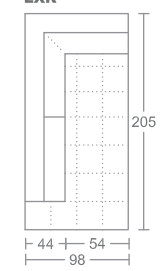
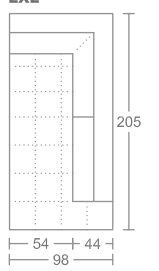
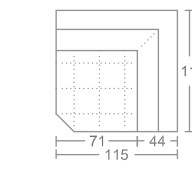
4D  35 81 81 35 232	3D  35 71 71 35 212	2D  35 55.5 55.5 35 181	1.5D  35 81 35 151	1D  24 62 24 110	 80 98
A: \$3819 C: \$5156 B: \$4392 D: \$5538	A: \$3508 C: \$4735 B: \$4034 D: \$5086	A: \$3430 C: \$4630 B: \$3944 D: \$4973	A: \$2865 C: \$3867 B: \$3294 D: \$4154	A: \$2163 C: \$2920 B: \$2488 D: \$3136	* Side elevation

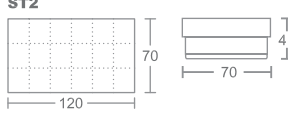
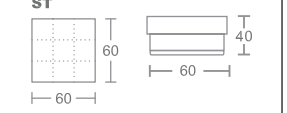
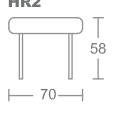
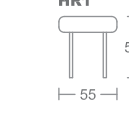
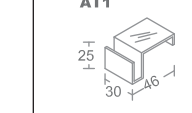
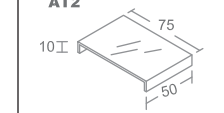
Modular Components:

4RA  35 81 81 197 98	3RA  35 71 71 177	2RA  35 55.5 55.5 146	1.5RA  35 81 116	1RA  35 62 97
A: \$3444 C: \$4650 B: \$3961 D: \$4994	A: \$3415 C: \$4610 B: \$3927 D: \$4952	A: \$2762 C: \$3729 B: \$3177 D: \$4005	A: \$2304 C: \$3111 B: \$2650 D: \$3341	A: \$2051 C: \$2769 B: \$2359 D: \$2974

4LA  81 81 35 197 98	3LA  71 71 35 177	2LA  55.5 55.5 35 146	1.5LA  81 35 116	1LA  62 35 97
A: \$3444 C: \$4650 B: \$3961 D: \$4994	A: \$3415 C: \$4610 B: \$3927 D: \$4952	A: \$2762 C: \$3729 B: \$3177 D: \$4005	A: \$2304 C: \$3111 B: \$2650 D: \$3341	A: \$2051 C: \$2769 B: \$2359 D: \$2974

4C  81 81 162 98	3C  71 71 142	2C  55.5 55.5 111	1.5C  81	LEATHER KEY: A: corrected top grain 'Orvieto' B: semi-corrected top grain 'EuroSoft' & 'King' C: 'Marco' 'Toro' (N/A) 'Nevicata' 'Prescott' D: 'Mimosa' 'Mimosa Pro' 'Geko' 'Nubuck'
A: \$3152 C: \$4255 B: \$3625 D: \$4570	A: \$2840 C: \$3834 B: \$3266 D: \$4118	A: \$2226 C: \$3006 B: \$2560 D: \$3228	A: \$1846 C: \$2493 B: \$2123 D: \$2677	

SXR  35 81 116 165	SXL  81 35 116 165	LXR  44 54 98 205	LXL  54 44 98 205	CN  71 44 115 115
A: \$3191 C: \$4308 B: \$3670 D: \$4627	A: \$4092 C: \$5525 B: \$4706 D: \$5934	A: \$2952 C: \$3499 B: \$2981 D: \$3758		

ST2  70 70 120	ST  60 60 60 40	HR2  70 58	HR1  55 58	AT1  25 30 46	AT2  10 75 50
A: \$1793 C: \$2420 B: \$2062 D: \$2600	A: \$926 C: \$1250 B: \$1064 D: \$1342	A: \$336 C: \$454 B: \$387 D: \$487	A: \$263 C: \$355 B: \$303 D: \$381	Acrylic arm tray \$244	Acrylic ottoman tray \$331

FIORI

STEP 2: SELECT ARM WIDTH		STEP 3: QUILTED
Thick Arm 35cm (0033) 	Thin Arm 20cm (custom) + 5% surcharge *Subtract 15/30cm from the sofa width for slim arm alternative 	Quilted (0033) 
		Plain (0034) 

STEP 4: SELECT LEG			
Round Metal (0033)  Choose a finish: Polished Matt	Round Metal Full Base (0034)  Choose a finish: Polished Matt	Timber H0014 	Choose a finish: Wenge 219 Beech 019 Cherry C02 Dark Walnut W01 Solid Black R05 Silver Grey 210

STEP 5: SELECT STITCHING	STEP 6: FIRMNESS
Contrast Stitching: Y / N If yes, what colour: (code):	Circle your seat firmness selection: Firm (4) Soft (5)

STEP 7: SELECT CUSTOM SIZE	STEP 8: FINISHED ENDS <small>(For non-standard finished ends only)</small>
Desired width: Closest Smaller Option: + cm:	How many ends do you need finished? 1 2
Additional Charge: \$ Your sales consultant will calculate this for you	Additional Charge: \$ Your sales consultant will calculate this for you

STEP 6: FINALISE DESIGN			
Sketch selection:	1. Selected item codes:	Selected leather colour (range/name/code):	
	2. Selected Arm Width:	3. Quilting:	
	4. Leg Selection:	5. Contrast Stitch:	6. Firmness:
	Price:	Additional Charge:	Total:
	I agree that the selected options on this order form are correct. Sign:		