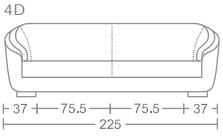
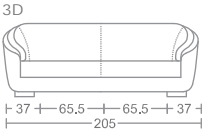
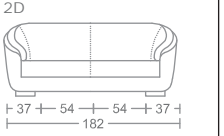
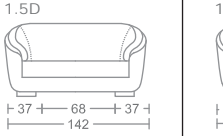
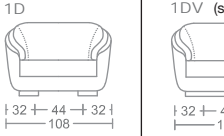
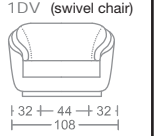


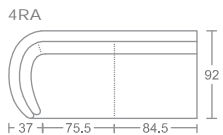
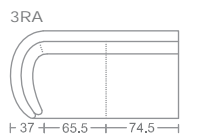
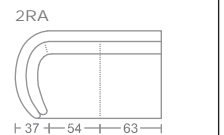

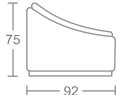
RUSCO

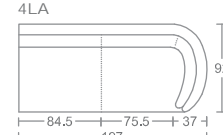
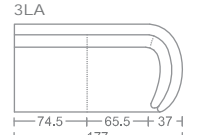
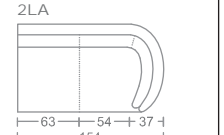
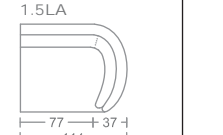
STEP 1: SELECT SOFA MODULES


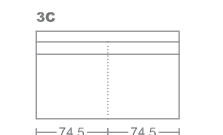

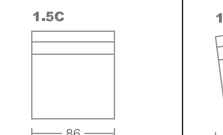

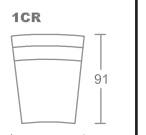
Sofas * For custom sizes & made to measure options, please ask a sales consultant to provide prices.

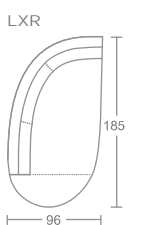
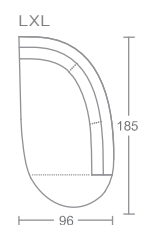
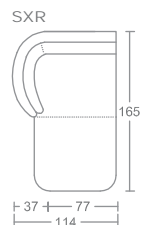
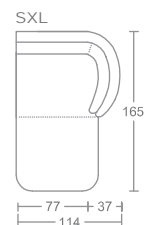
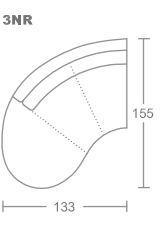
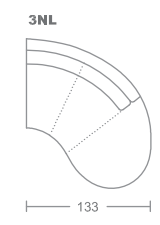
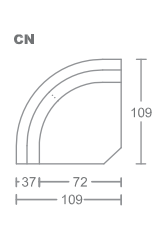
 <p>4D 37 75.5 75.5 37 225</p>	 <p>3D 37 65.5 65.5 37 205</p>	 <p>2D 37 54 54 37 182</p>	 <p>1.5D 37 68 37 142</p>	 <p>1D 32 44 32 108</p>	 <p>1DV (swivel chair) 32 44 32 108</p>
A: \$3732 C: \$5038 B: \$4292 D: \$5411	A: \$3478 C: \$4696 B: \$4000 D: \$5044	A: \$3196 C: \$4314 B: \$3675 D: \$4634	A: \$2699 C: \$3644 B: \$3104 D: \$3914	A: \$2465 C: \$3328 B: \$2835 D: \$3574	A: \$2728 C: \$3683 B: \$3137 D: \$3956

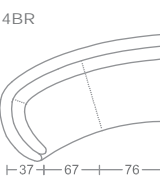
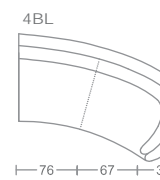
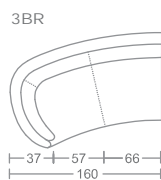
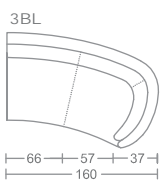
Modular Components:

 <p>4RA 37 75.5 84.5 197 92</p>	 <p>3RA 37 65.5 74.5 177</p>	 <p>2RA 37 54 63 154</p>	 <p>1.5RA 37 77 114</p>	 <p>75 92</p>
A: \$3303 C: \$4459 B: \$3799 D: \$4789	A: \$3040 C: \$4104 B: \$3496 D: \$4408	A: \$2777 C: \$3749 B: \$3193 D: \$4027	A: \$2246 C: \$3032 B: \$2583 D: \$3257	* Side elevation

 <p>4LA 84.5 75.5 37 197 92</p>	 <p>3LA 74.5 65.5 37 177</p>	 <p>2LA 63 54 37 154</p>	 <p>1.5LA 77 37 114</p>
A: \$3303 C: \$4459 B: \$3799 D: \$4789	A: \$3040 C: \$4104 B: \$3496 D: \$4408	A: \$2777 C: \$3749 B: \$3193 D: \$4027	A: \$2246 C: \$3032 B: \$2583 D: \$3257


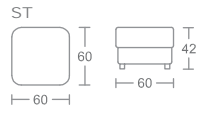



 <p>4C 84.5 84.5 169 92</p>	 <p>3C 74.5 74.5 149</p>	 <p>2C 63 63 126</p>	 <p>1.5C 86</p>	 <p>1.5CR 61 91</p>	 <p>1CR 56 91</p>
A: \$2938 C: \$3966 B: \$3378 D: \$4260	A: \$2679 C: \$3617 B: \$3081 D: \$3885	A: \$2421 C: \$3269 B: \$2784 D: \$3511	A: \$2134 C: \$2881 B: \$2454 D: \$3094	A: \$1827 C: \$2466 B: \$2101 D: \$2649	A: \$1661 C: \$2243 B: \$1910 D: \$2409



 <p>LXR 96 185</p>	 <p>LXL 96 185</p>	 <p>SXR 37 77 114 165</p>	 <p>SXL 77 37 114 165</p>	 <p>3NR 133 155</p>	 <p>3NL 133 155</p>	 <p>CN 37 72 109 109</p>
A: \$3118 C: \$4209 B: \$3586 D: \$4521	A: \$2855 C: \$3854 B: \$3283 D: \$4140	A: \$3006 C: \$4058 B: \$3457 D: \$4359	A: \$2485 C: \$3354 B: \$2857 D: \$3603			




 <p>4BR 37 67 76 180 140</p>	 <p>4BL 76 67 37 180</p>	 <p>3BR 37 57 66 160 135</p>	 <p>3BL 66 57 37 160</p>
A: \$3439 C: \$4643 B: \$3955 D: \$4987	A: \$3176 C: \$4288 B: \$3653 D: \$4606		

LEATHER KEY:	
A:	corrected top grain 'Orvieto'
B:	semi-corrected top grain 'EuroSoft' & 'King'
C:	'Marco' 'Toro' 'Nevicata' 'Prescott'
D:	'Mimosa' 'Mimosa Pro' 'Geko' (N/A) 'Nubuck'

RUSCO

STEP 1: SELECT SOFA MODULES									
Ottomans								Headrests	
									
A: \$1549	C: \$2091	A: \$965	C: \$1302	A: \$955	C: \$1289	A: \$1296	C: \$1749	A: \$229	C: \$309
B: \$1782	D: \$2246	B: \$1109	D: \$1399	B: \$1098	D: \$1385	B: \$1490	D: \$1879	B: \$263	D: \$332

STEP 2: SELECT STITCHING DETAIL		STEP 3: CONTRAST STITCH	
		Contrast Stitching: Y / N If yes, what colour: (code):	
Plain Seat (0105)		Quilted Seat (0106) +20%	
STEP 4: FIRMNESS			
Circle your seat firmness selection:		*Note, if you select soft the leather may appear 'looser'.	
Firm (4) Soft (5)			

STEP 5: SELECT LEGS			
	Steel Leg (0105) Choose a finish: Polished Matt		Timber Leg (H0302) Choose a finish: Wenge 219 Beech 019 Cherry C02 Dark Walnut W01 Solid Black R05 Silver Grey 210
			Round Steel Leg (M0300) Choose a finish: Polished Matt

STEP 6: SELECT CUSTOM SIZE			STEP 7: FINISHED ENDS (For non-standard finished ends only)	
Desired width:	Closest Smaller Option:	+ cm:	How many ends do you need finished? 1 2	
Additional Charge: \$ Your sales consultant will calculate this for you			Additional Charge: \$ Your sales consultant will calculate this for you	

STEP 8: FINALISE DESIGN				
Sketch selection:	1. Selected item codes:		Selected leather colour (range/name/code):	
	2. Quilting:		3. Stitching Colour:	
	4. Firmness selection:		5. Leg Selection:	
	Price:		Additional Charge:	Total:
	I agree that the selected options on this order form are correct. Sign:			